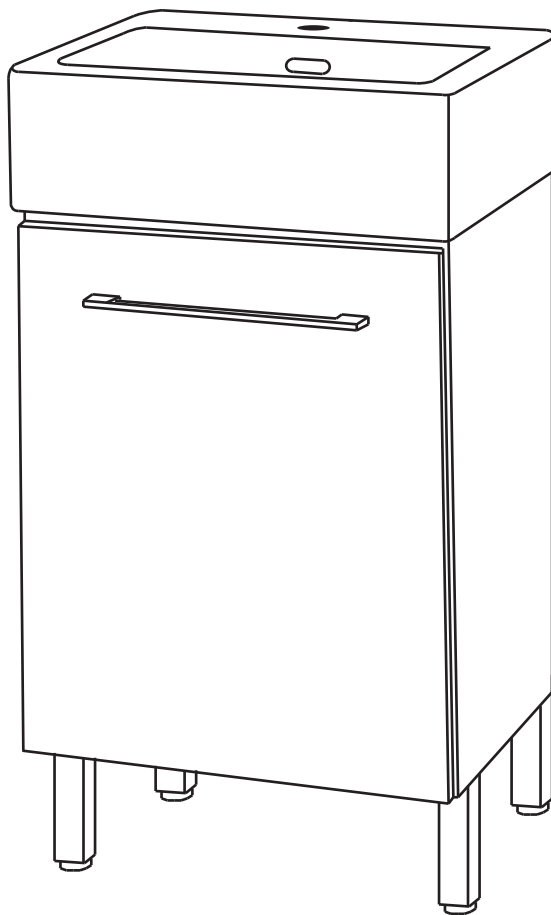


## USE AND CARE GUIDE



Before starting your installation, please take a few minutes to READ THESE INSTRUCTIONS CAREFULLY. In addition, please check the product CAREFULLY for any visible damage.

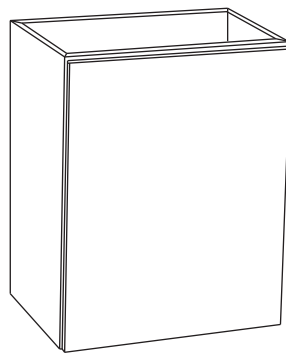
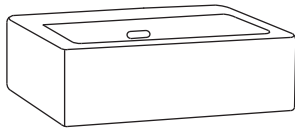


# USE AND CARE GUIDE



Before starting your installation, please take a few minutes to READ THESE INSTRUCTIONS CAREFULLY. In addition, please check the product CAREFULLY for any visible damage.

## PRE-ASSEMBLY PACKAGE CONTENTS



## TOOLS REQUIRED



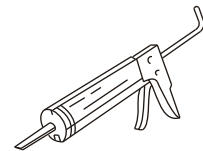
Phillips  
screwdriver



Regular  
screwdriver



Carpenters  
level



Silicone  
sealant



Adjustable wrench



Putty knife



Tape measure

## HARDWARE INCLUDED



**NOTE:** Hardware not shown to actual size.



AA



BB



CC



DD



EE



FF

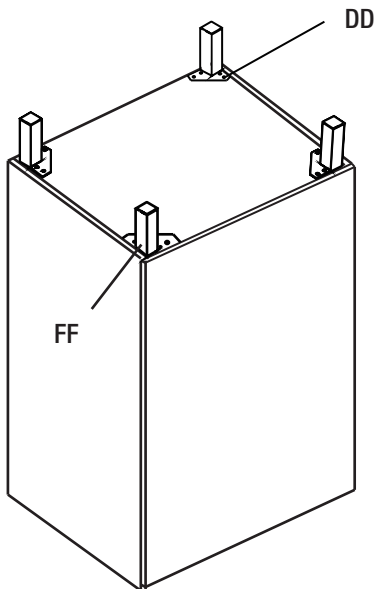
Part	Description	Quantity
AA	Handle screw	2
BB	Long screw	2
CC	Expansion bolt	2
DD	Iron structure screw	16
EE	Handle	1
FF	Metal legs	4

# USE AND CARE GUIDE

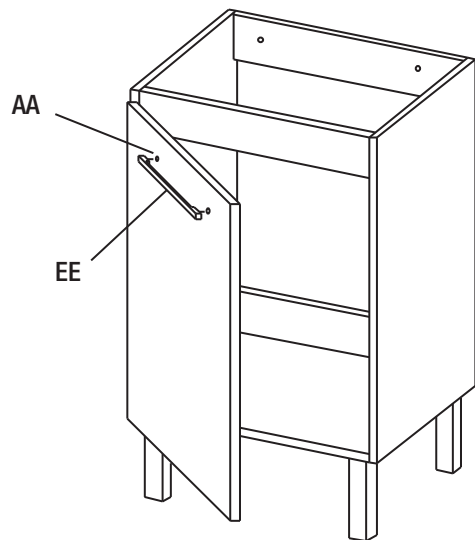


Before starting your installation, please take a few minutes to READ THESE INSTRUCTIONS CAREFULLY. In addition, please check the product CAREFULLY for any visible damage.

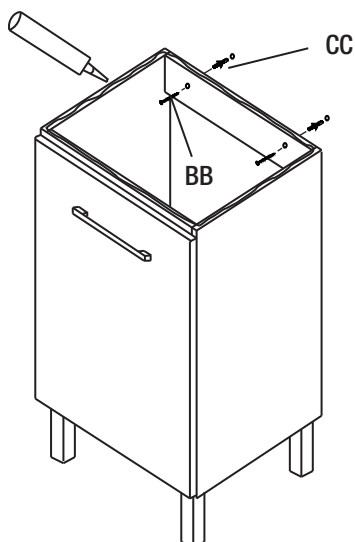
- 1** Attach metal legs(FF) on the cabinet with iron structure screw (DD).



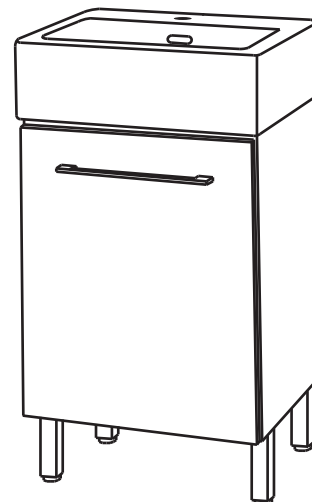
- 2** Attach handle(EE) to the door with handle screw(AA)



- 3** Attach the rear panel of the vanity to the wall with long screw(BB) and expansion bolt(CC). Then, apply ahead of sealant on the top edge of the cabinet.



- 4** Place lavatory sink carefully over the cabinet and make sure it sits straight. Wipe any excess sealant and let dry.



# USE AND CARE GUIDE



Before starting your installation, please take a few minutes to READ THESE INSTRUCTIONS CAREFULLY. In addition, please check the product CAREFULLY for any visible damage.

## CARE AND MAINTENANCE

For best results in cleaning and polishing your bath furniture, we recommend the following:

- Dust frequently with a clean, soft, dry, lint-free cloth. Clean the surface by rubbing in the direction of the grain.
- Polish your furniture approximately every six months with a product that contains detergents, emulsifiers and mineral oil. The detergents clean dirt from the furniture; The emulsifiers give it body to clean and last longer; The mineral oil is left behind as barrier for dirt and moisture that can harm the finish. There is no grit to harm the finish, no wax build-up, and no silicone to raise the sheen and act as a barrier for touch-ups and refinishing.
- Clean the outside surface with mild soap, warm water, and a soft cloth.
- On stubborn stains, use a powdered detergent and damp sponge or nylon scouring pad.
- Never use abrasive scouring powders, cleansers, or pads because they will scratch, damage, and dull the surface.

To protect your bath furniture, we suggest the following:

- Avoid placing your furniture in direct sunlight, as sunlight causes fading. Clean up spills immediately. Use a blotting rather than a wiping action. Water left over a long period of time will cause white spots in the finish.
- Alcohol, perfume, aftershave and medications can cause severe finish damage.